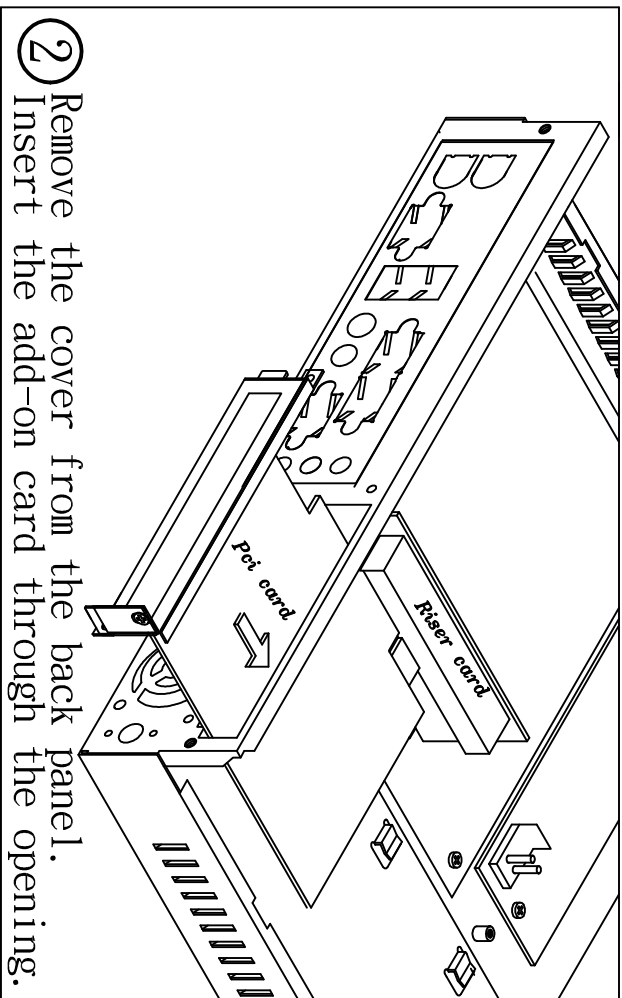
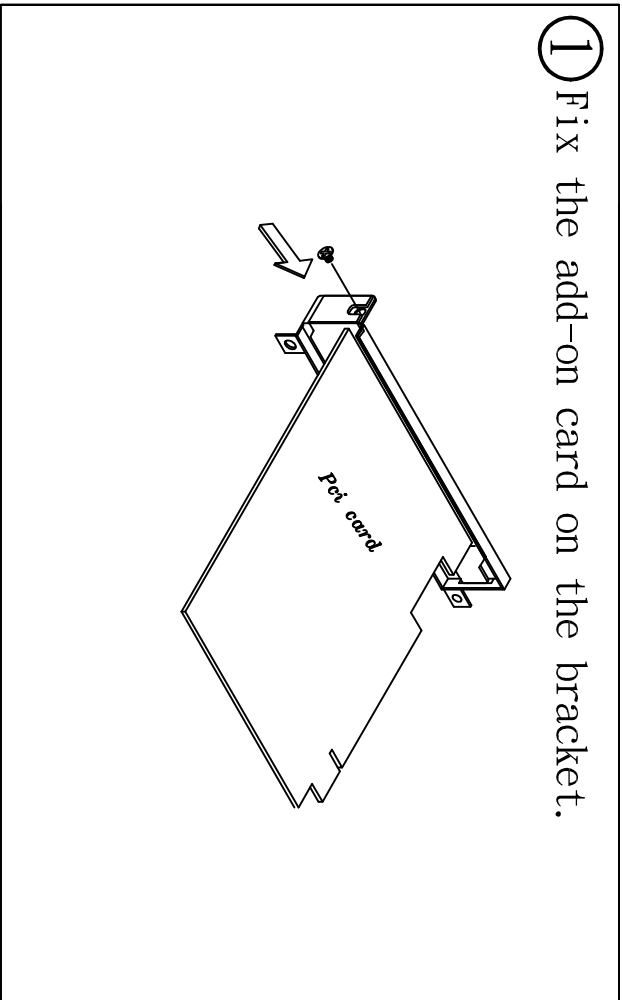


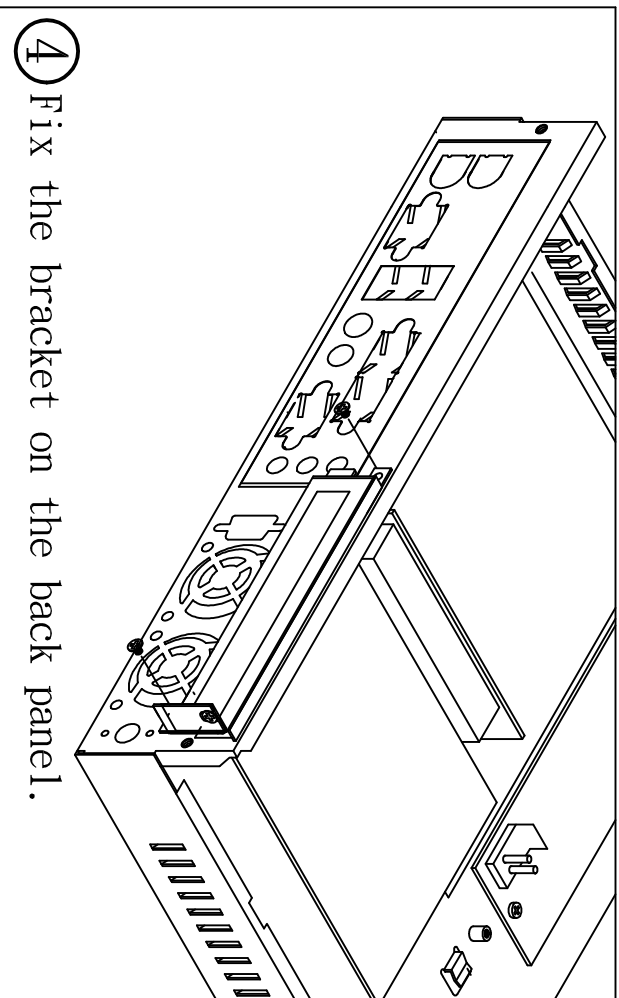
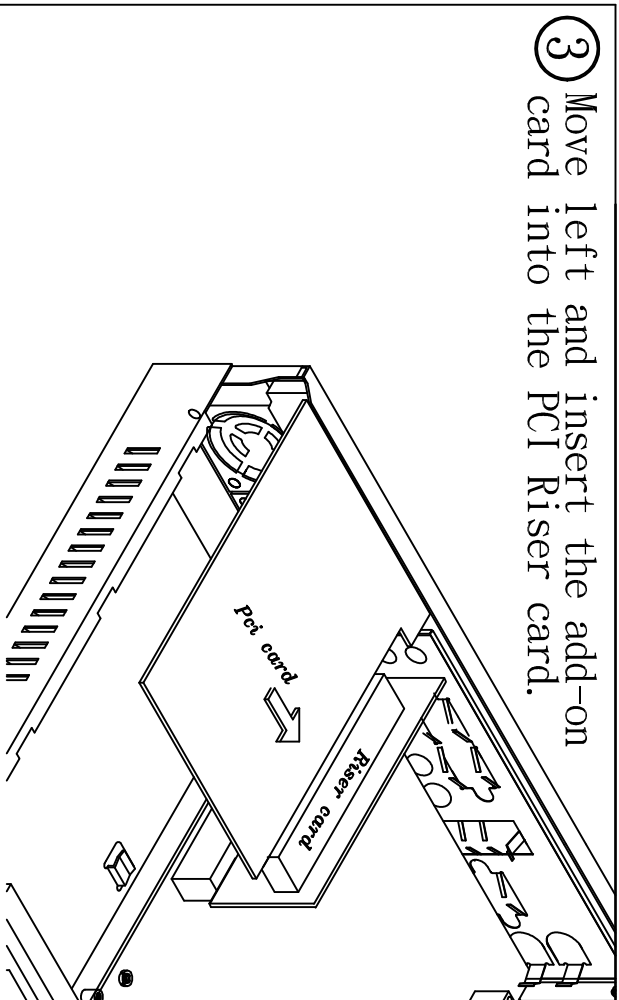
# Instruction for installing an Add-on card

① Fix the add-on card on the bracket.



② Remove the cover from the back panel. Insert the add-on card through the opening.

③ Move left and insert the add-on card into the PCI Riser card.



④ Fix the bracket on the back panel.